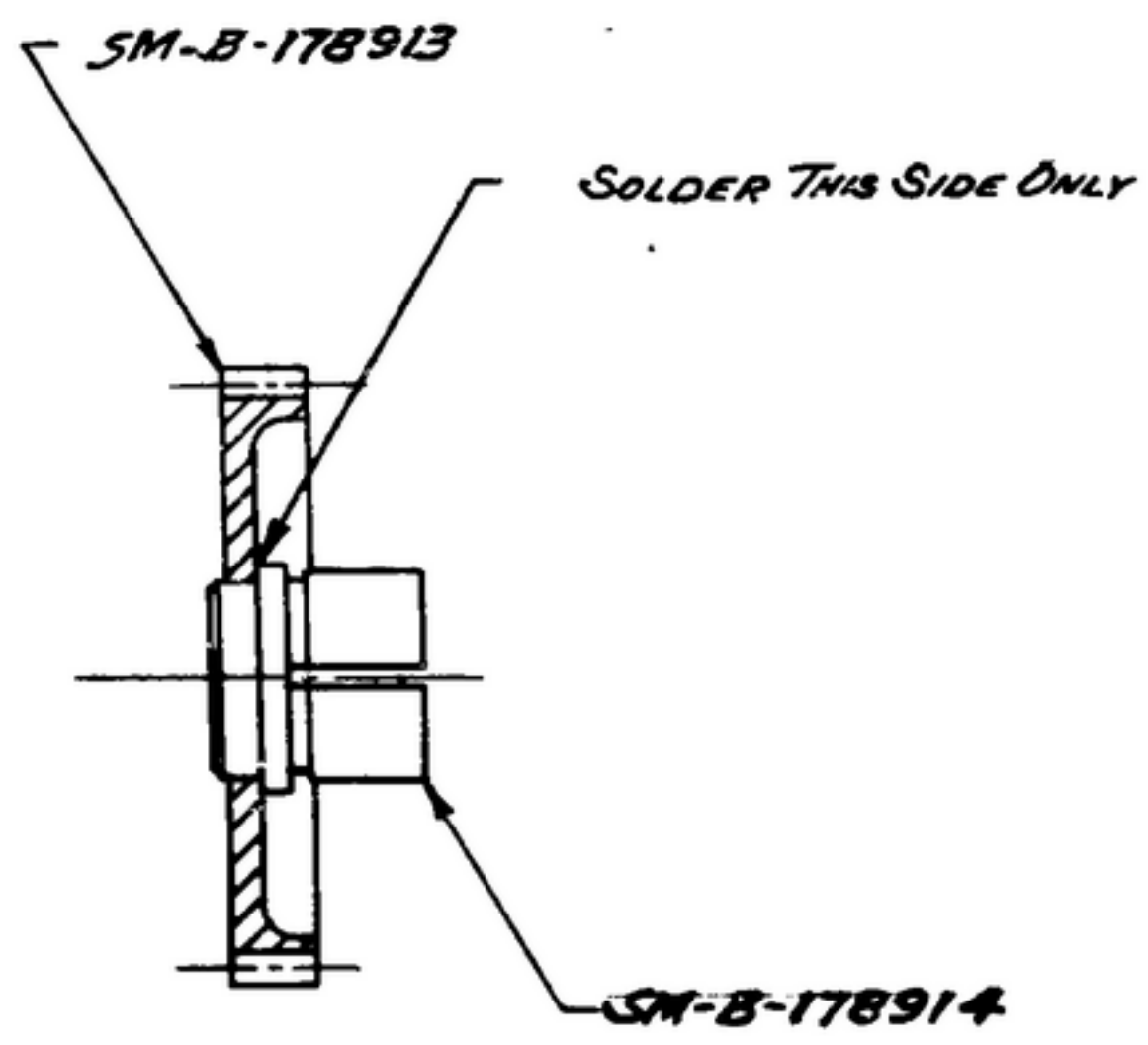


PN 0-4

NOTICE: WHEN GOVERNMENT DRAWINGS, SPECIFICATIONS, OR OTHER DATA ARE USED FOR ANY PURPOSE OTHER THAN IN CONNECTION WITH A DEFINITELY RELATED GOVERNMENT PROCUREMENT OPERATION, THE UNITED STATES GOVERNMENT THEREBY INCURS NO RESPONSIBILITY FOR ANY OBLIGATION WHATSOEVER, AND THE FACT THAT THE GOVERNMENT MAY HAVE FORMULATED, FURNISHED, OR IN ANY WAY SUPPLIED THE SAID DRAWINGS, SPECIFICATIONS, OR OTHER DATA IS NOT TO BE REGARDED BY IMPLICATION OR OTHERWISE AS IN ANY MANNER LICENSING THE HOLDER OR ANY OTHER PERSON OR CORPORATION, OR CONVEYING ANY RIGHTS OR PERMISSION TO MANUFACTURE, USE, OR SELL ANY PATENTED INVENTION THAT MAY IN ANY WAY BE RELATED THERETO.

NOTE:
 *FOR INFORMATION ONLY,
 CONTRACTOR MAY AT HIS
 OPTION DEVIATE FROM
 THESE PROCESS DETAILS

*SWE. APPROVAL		REVISIONS			
SYM	PR	SYM	DESCRIPTION	DATE	APPROVAL
PR10042-5		A ₂	A ₁ - SPEC O-F-499 WAS 51F4, CLASS 4 WAS CLASS 4 OR 6, FINISH WAS PER MIL-P-12011. A ₂ -ADDED APPL. SM-D-343600, SM-D-248975, SC-DL-248775.	9 OCT. 59	42428-PC-59 -A1-51 REV'D.
B₁	CA 84781	B₁	B₁-10S111330-7 WAS 10S13002	17 MAY 60	42428-PC-59 REV'D. PME



NOTES:

- SILVER SOLDER SHALL BE PER QQ-S-561, CLASS 4 USING FLUX PER U.S. NAVY SPEC. O-F-499.
- PRESS SM-B-178913 ON SM-B-178914 SNUG AGAINST SHOULDER
- FINISH: E-300 PER MIL-F-14072.

REQD	PART NO.	DESCRIPTION	MATL	MATL SPEC
	10S130298	A/R	FLUX	1
	10S111330-7	A/R	SOLDER, SILVER	1
	1	SM-B-178914 Hub		
	1	SM-B-178913 GEAR		

UNLESS OTHERWISE SPECIFIED		AUTHENTICATION		<p style="text-align: center; font-size: 2em;">GEAR ASSY</p> <p style="text-align: center;">SIGNAL CORPS ENGINEERING LABORATORIES</p> <p style="text-align: center;">PORT MONMOUTH NEW JERSEY</p> <p style="text-align: center; font-size: 1.5em;">SM-B-178912</p>
DIMENSIONS ARE IN INCHES		DRAWN	21852-PA-58-93	
TOLERANCES ON FRACTIONS DECIMALS ANGLES		TRACED	PHOTO	
		CHECKED	[Signature]	
		VERIFIED	P.D.B.R.	
A ₂	SM-D-343600	APPROVED	P.D.B.R.	
	SM-D-248975 SC-DL-248775	REVIEWED	PME	
	SM-D-178900 SC-DL-178967	DATE	27 JUL 53	
NEXT ASSY	USED ON	SCALE	2/1	
APPLICATION		SWE. PART NO.		